

CamCube m



Figure shows configuration variant

HIGHLIGHTS

- Very compact IPC for installation close to the camera
- Grabber-card can be integrated

CamCube m J19

CHASSIS	Material	Stainless steel, powder coated	
	Dimensions (WxDxH)	193x200x 140 mm	
	Mounting	Desktop / wall mount	
	Weight	From 1,5 kg	
	Spare slots	3x full height	
	System cooling	Passive fanless	
	Power supply	optional, 12V / 45W external AC / DC adapter	
MAINBOARD	CPU	Intel® Celeron™ J1900, 2GHz, 10W (passive cooling)	
	Chipset	Intel® Silvermont SoC	
	Memory	4GB DDR3 (max. 8GB)	
	Expansion slots	1x PCIe x2, 1x Mini-PCIe	
	LAN	2x GbE (Intel® i210AT)	
	Graphics	Intel® HD Graphics	
STORAGE	mSATA	1x 128GB SSD	
I/O	Power input	12V DC IN 3pin Connector, optional DC Jack	
	Video	1x HDMI, 1x DP, 1x VGA	
	LAN	2x RJ45	
	USB	1x USB 3.0, 1x USB 2.0	
AMBIENT CONDITIONS		Operating	Storage
	Temperature	10 to 50°C	-10 to 70 °C
	Humidity	10 to 80%	10 bis 95% non-condensing
	Protection class	IP 20	
PACKING	Dimensions	290x280x280 mm	
	Units per pallet	40	

CamCube m

Dimensions (in mm)

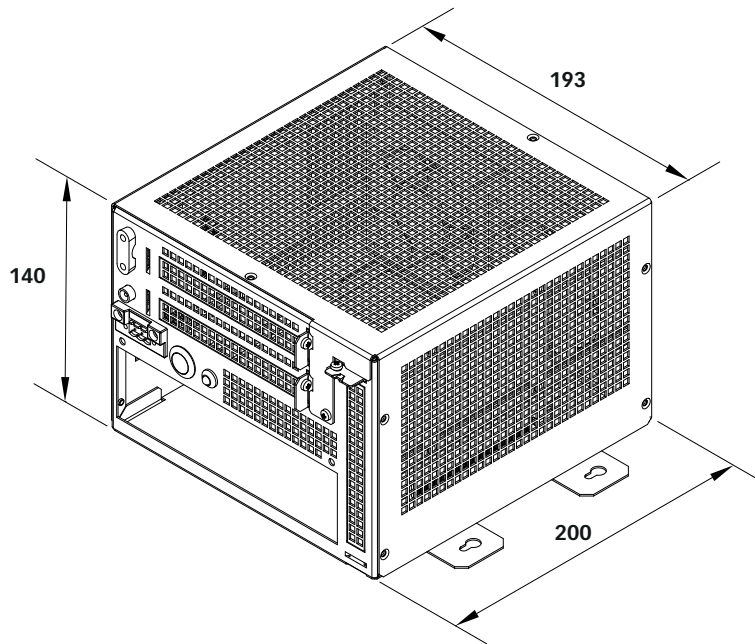


Figure shows configuration variant