

CamCube 6.0



Figure shows configuration variant

HIGHLIGHTS

- Front I/O system with 4 slots
- Interfaces for GigE, PoE and USB 3.0 cameras
- Digital I/O options
- Intel® Core™ i3, i5 or i7 Skylake 6th Generation
- Available as AC and DC version

CamCube 6.0

CHASSIS	Material	Stainless steel, powder coated	
	Dimensions (WxDxH)	320x317x 134 mm	
	Mounting	Desktop or wall mount	
	Weight	From 9,4 kg	
	Spare slots	4x full height	
	System cooling	1x 120 mm fan, changeable rear dust filter	
	Power supply	250 W, 100-240 V AC or 200W, 24 V DC	
MAINBOARD	CPU	Intel® Core™ i3 / i5 / i7 Skylake 6 th Generation	
	Chipset	Intel® Q170	
	Memory	Up to 64GB DDR4	
	Expansion slots	1x PCIe 3.0 x16, 1x PCIe 2.0 x8, 2x PCIe 2.0 x4	
	LAN	1x Intel® I210AT and 1x Intel® I219LM	
	Graphics	Intel® HD 530	
	Remote Management	Intel® iAMT 11 (Core™ i5, i7)	
STORAGE	SATA	2x 2,5" SSD/HDD, optional hot swappable	
I/O	Video	1x DP, 1x DVI, 1x VGA	
	LAN	2x RJ45	
	USB	4x USB 3.0, 2x USB 2.0	
	COM	2x DB-9 RS232/422/485	
AMBIENT CONDITIONS		Operating	Storage
	Temperature	10 to 45°C	-10 to 70°C
	Humidity	10 to 80%	10 bis 95% non-condensing
	Protection class	IP 20	
PACKING	Dimensions	416x416x268 mm	
	Units per pallet	14	

CamCube 6.0

Dimensions (in mm)

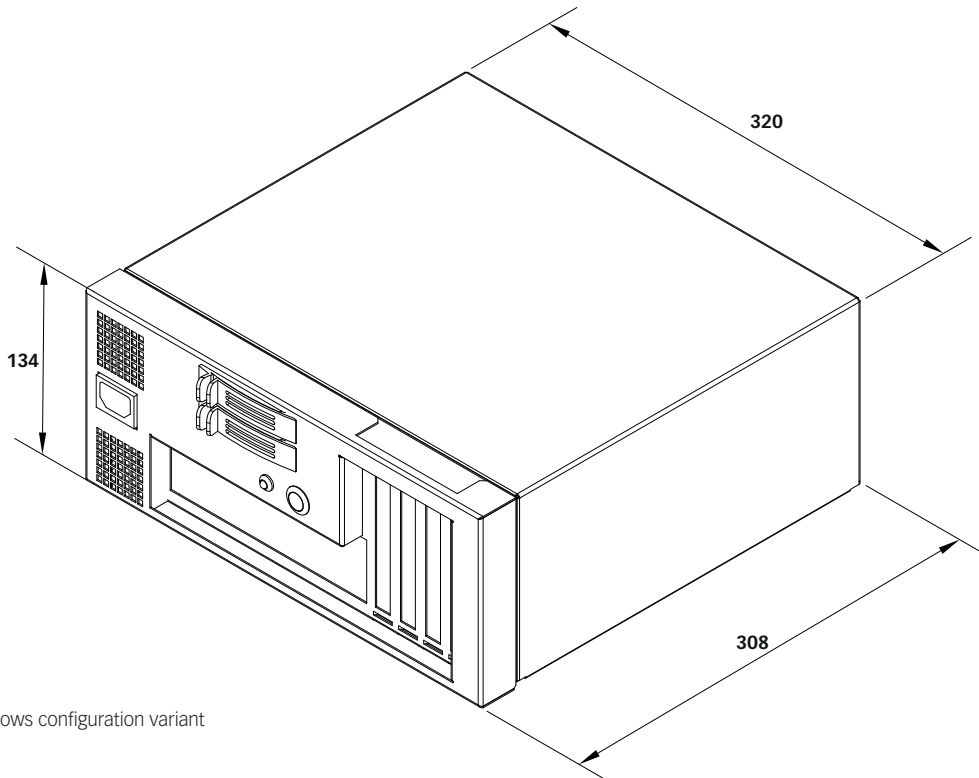


Figure shows configuration variant