

# CamCube plus 6.0



Figure shows configuration variant

## HIGHLIGHTS

- Front I/O system with 7x slots
- Interfaces for GigE, PoE and USB 3.0 cameras
- Digital I/O options
- Intel® Core™ i3, i5 or i7 Skylake 6<sup>th</sup> Generation
- Available with optional UPS

## CamCube plus 6.0

<b>CHASSIS</b>	Material	Stainless steel, powder coated	
	Dimensions (WxDxH)	413x317x189 mm	
	Mounting	Desktop or wall mount	
	Weight	From 11,4 kg	
	Spare slots	7x full height	
	System cooling	3x 120 mm fan, changeable rear dust filter	
	Power supply	400 W, 100-240 V AC or 200W, 100-240 V AC with UPS	
<b>MAINBOARD</b>	CPU	Intel® Core™ i3 / i5 / i7 Skylake 6 <sup>th</sup> Generation	
	Chipset	Intel® Q170	
	Memory	Up to 64GB DDR4	
	Expansion slots	1x PCIe 3.0 x16, 1x PCIe 2.0 x4, 1x PCIe 2.0 x1, 3x PCI 2.3	
	LAN	1x Intel® i217LM and 1x Intel® i210AT GbE	
	Graphics	Intel® HD 4600	
	Remote Management	Intel® iAMT 9.0 (Core™ i5, i7)	
<b>STORAGE</b>	SATA	Up to 4x 2,5" SSD / HDD, optional 2x 2,5" hot swappable	
<b>I/O</b>	Video	1x HDMI, 1x DVI	
	LAN	2x RJ45	
	USB	4x USB 3.0, 2x USB 2.0	
	COM	2x DB-9 RS232/422/485	
<b>AMBIENT CONDITIONS</b>		Operating	Storage
	Temperature	10 to 45°C / 40°* *(with UPS)	-10 to 70°C
	Humidity	10 to 80%	10 bis 95% non-condensing
<b>PACKING</b>	Dimensions	549x441x320 mm	
	Units per pallet	12	

## CamCube plus 6.0

### Dimensions (in mm)

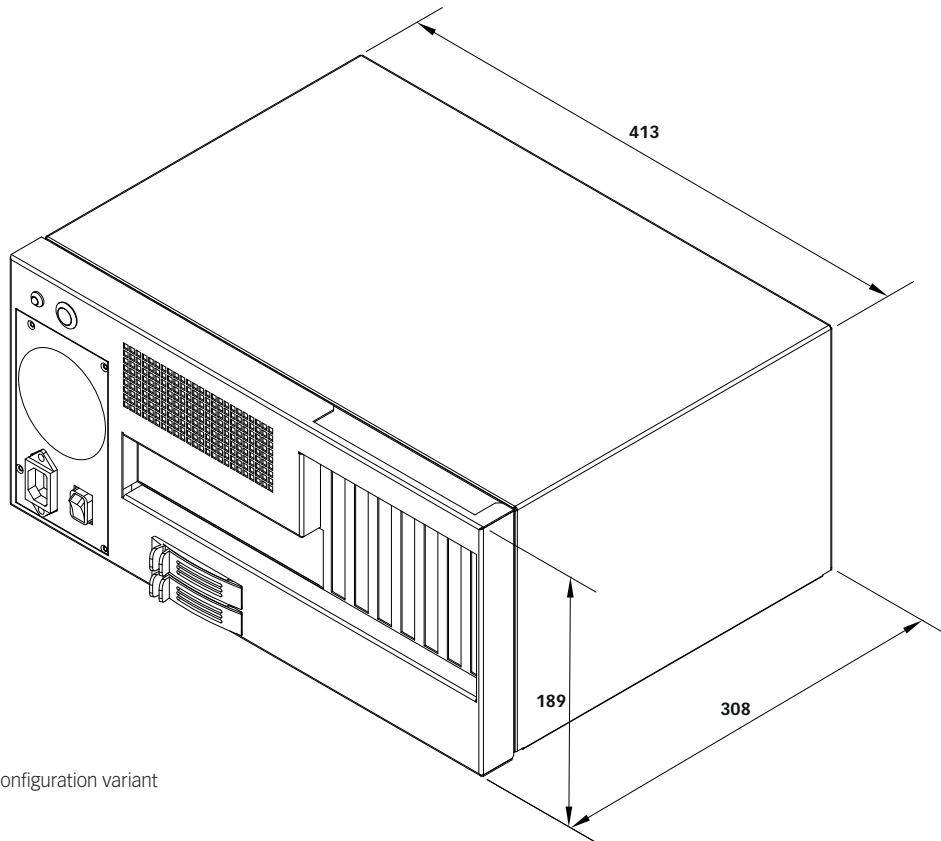


Figure shows configuration variant