

# PyBox m



Figure shows configuration variant

## HIGHLIGHTS

- Very compact Design
- 1 x expansion slot full height
- 2 x slot brackets for further I/O
- Passive or active cooling

## OEM Platform Specifications

<b>CHASSIS</b>	Material	Stainless steel, powder coated
	Dimensions (WxDxH)	193x200x 140 mm
	Mounting	Desktop / wall mount
	Weight	From 1,5 kg
	Board	Mini-ITX
	Expansion slots	1 x full height
	System cooling	Passive, optional active
	Storage	Up to 2x 2,5" HDD / SSD installed internally Optional mSATA
<b>POWER SUPPLY</b>	Voltage	9-24 V DC
<b>CPU</b>	Class	From Intel® Atom™ up to Intel® Core™
	TDP	10W (passive cooling) up to 25W (active cooling)
<b>OPTIONS</b>	Front bezel	2x slot brackets for further I/O
	Customizing	Color of choice for powder coating Custom external packaging
	Product certification	CE, CB, UL, FCC, CCC, EAC
<b>PACKING</b>	Dimensions	290x280x280 mm
	Units per pallet	40

ds\_PyBox\_m\_EN\_rel\_1.0 - specification is subject to change

## PyBox m

### Dimensions (in mm)

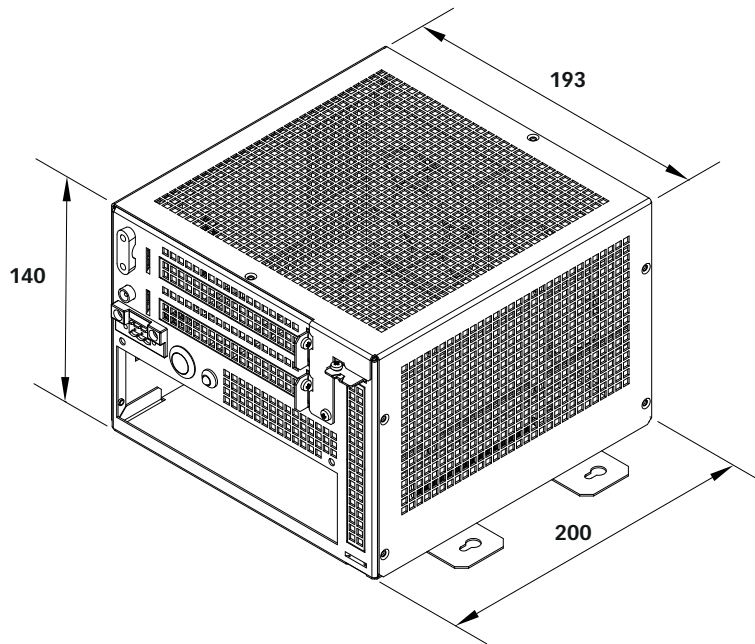


Figure shows configuration variant

ds\_PyBox\_m\_EN\_rel\_1.0 - specification is subject to change