

PyBox mini

Dimensions (in mm)

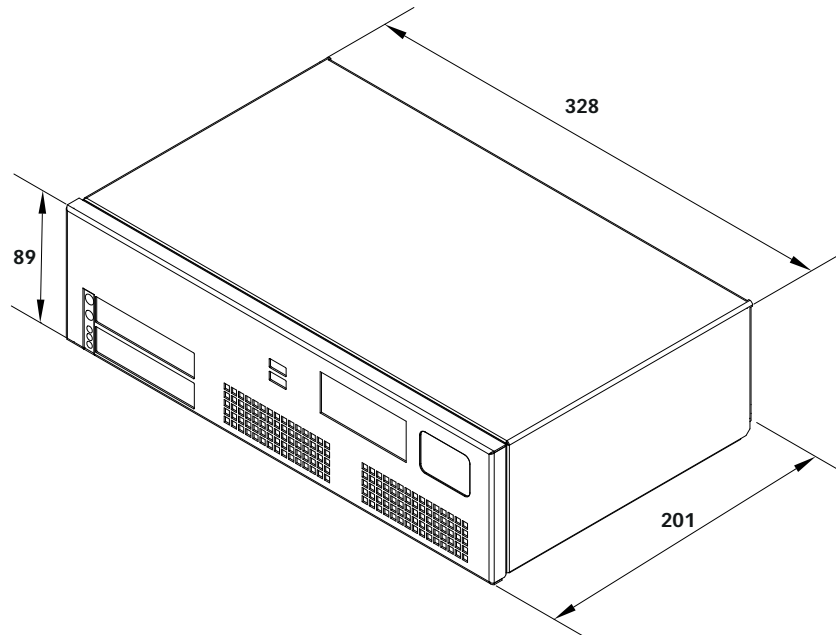


Figure shows configuration variant

ds_PyBox_mini_EN_rel_1.0 - specification is subject to change