

PyBox plus



Figure shows configuration variant

HIGHLIGHTS

- Highest performance and high density
- Wall mounting
- Front I/O, 7x slots full height
- Easily replaceable dust filter
- Available as AC and DC version, optional AC with internal UPS

OEM Platform Specifications

CHASSIS	Material	Stainless steel, powder coated
	Dimensions (WxDxH)	413x308x 189 mm
	Mounting	Desktop, optional wall mount
	Weight	From 8,7 kg
	Board	Mini-ITX, µATX, ATX
	Expansion slots	7x full height
	System cooling	3x 120 mm fan
	Storage	Up to 4x 2,5" / 2x 3,5" HDD / SSD installed internally Optional hot-swappable 4x 2,5"
POWER SUPPLY	Voltage	9-24 V DC, 100-240 V AC
CPU	Class	From Intel® Atom™ up to Intel® Core™ i7 / Xeon™
	TDP	10W (passive cooling) up to 80W (active cooling)
OPTIONS	Front bezel	LCD, LED, hot-swappable trays, ODD
	Accessories	Wall mount kit, dust filter, internal UPS
	Customizing	Color of choice and powder coating for chassis Front bezel printing Custom external packaging
	Product certification	CE, CB, UL, FCC, CCC, EAC
	PACKING	Dimensions
	Units per pallet	12

ds_PyBox_plus_EN_rel_1.0 - specification is subject to change

PyBox plus

Dimensions (in mm)

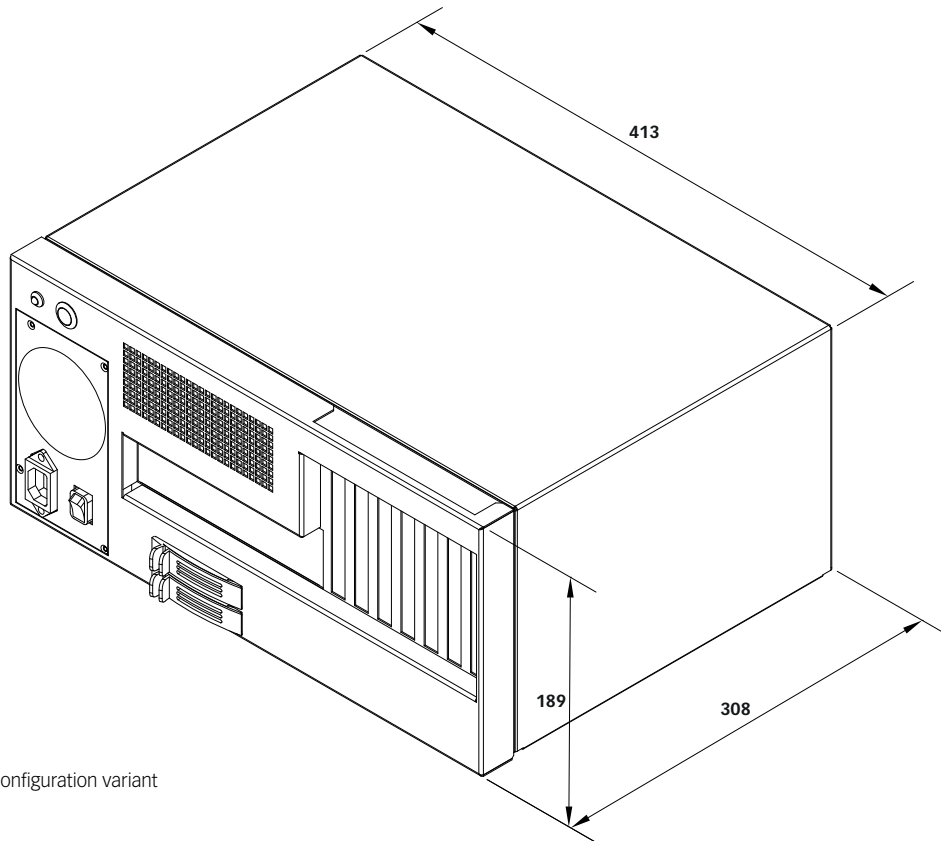


Figure shows configuration variant