

# PyRa 1U advanced



## HIGHLIGHTS

- Maximum footprint for maximum performance – 640 mm depth
- Upgradable to dual socket CPUs and up to extended ATX
- Optional redundant AC and DC power supply

Figure shows configuration variant

## OEM Platform Specifications

<b>CHASSIS</b>	Material	Steel, powder coated
	Mounting depth	633 mm
	Mounting	1U Rackmount, fully extendable telescopic rails
	Weight	From 13 kg
	Board	µATX, ATX, E-ATX
	Expansion slots	1x full height
	System cooling	Up to 5x 40 mm fans
	Storage	Up to 8 / 4x 2,5" / 3,5" HDD / SSD installed internally Optional hot-swappable 4 / 3x 2,5" / 3,5"
<b>POWER SUPPLY</b>	Voltage	40-72 V DC, 100-240 V AC
<b>CPU</b>	Class	Intel® Xeon™
	TDP	Up to 2x 130W (active cooling)
<b>OPTIONS</b>	Front bezel	I/O, LCD, LED, hot-swappable trays, ODD
	Accessories	Redundant power supply, server rails
	Customizing	Color of choice and powder coating for chassis Front bezel printing Custom external packaging
	Product certification	CE, CB, UL, FCC, CCC, EAC
	<b>PACKING</b>	Dimensions
	Units per pallet	14

ds\_PyRa\_1U\_advanced\_EN\_rel\_1.0 - specification is subject to change

## PyRa 1U advanced

### Dimensions (in mm)

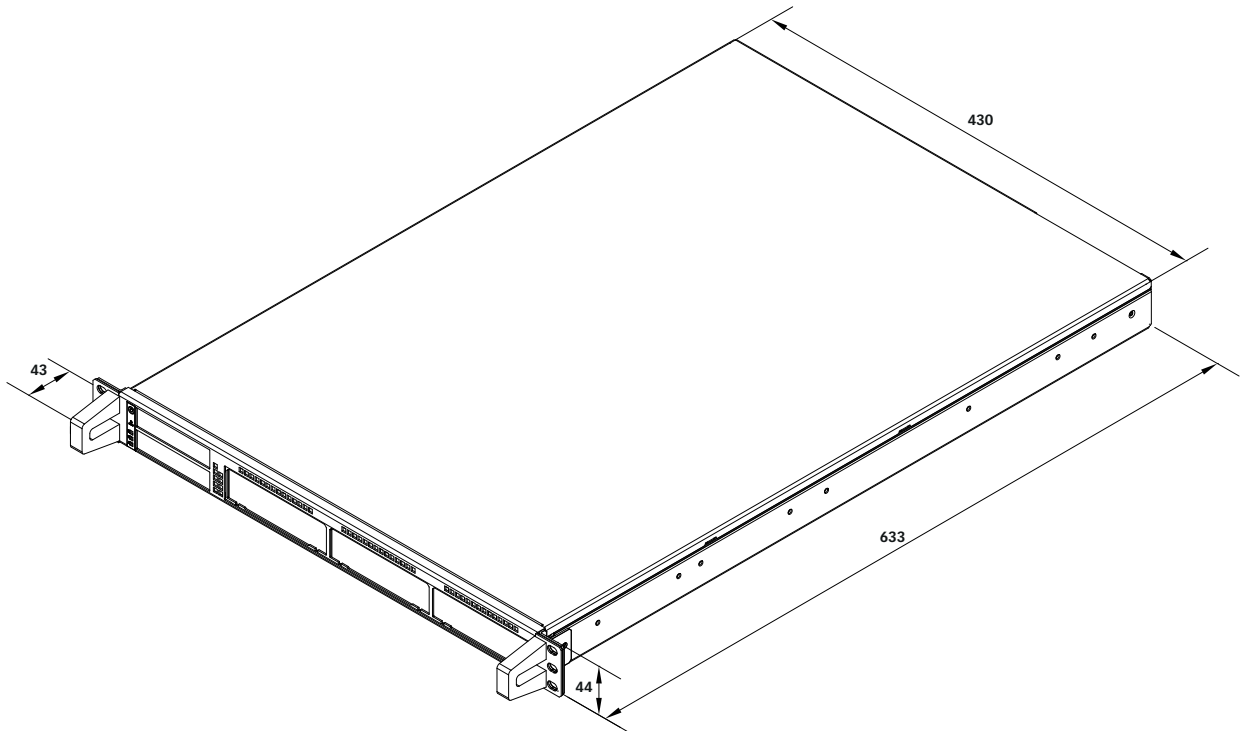


Figure shows configuration variant

ds\_PyRa\_1U\_advanced\_EN\_rel\_1.0 - specification is subject to change