

PyRa 1U short



HIGHLIGHTS

- High density with high performance – 460 mm depth
- Upgradable to dual socket CPUs
- Optional redundant AC and DC power supply

Figure shows configuration variant

OEM Platform Specifications

CHASSIS	Material	Steel, powder coated
	Mounting depth	456 mm
	Mounting	1U Rackmount, fully extendable telescopic rails
	Weight	From 11 kg
	Board	µATX, ATX
	Expansion slots	1x full height
	System cooling	Up to 5x 40 mm fans
	Storage	Up to 8x 2,5" HDD / SSD installed internally Optional hot-swappable 4x 2,5"
POWER SUPPLY	Voltage	40-72 V DC, 100-240 V AC
CPU	Class	Intel® Xeon™
	TDP	Up to 2x 95W (active cooling)
OPTIONS	Front bezel	I/O, LCD, LED, hot-swappable trays, ODD
	Accessories	Redundant power supply, server rails
	Customizing	Color of choice and powder coating for chassis Front bezel printing Custom external packaging
	Product certification	CE, CB, UL, FCC, CCC, EAC
PACKING	Dimensions	782x598x277 mm
	Units per pallet	14

ds_PyRa_1U_short_EN_rel_1.0 · specification is subject to change

PyRa 1U short

Dimensions (in mm)

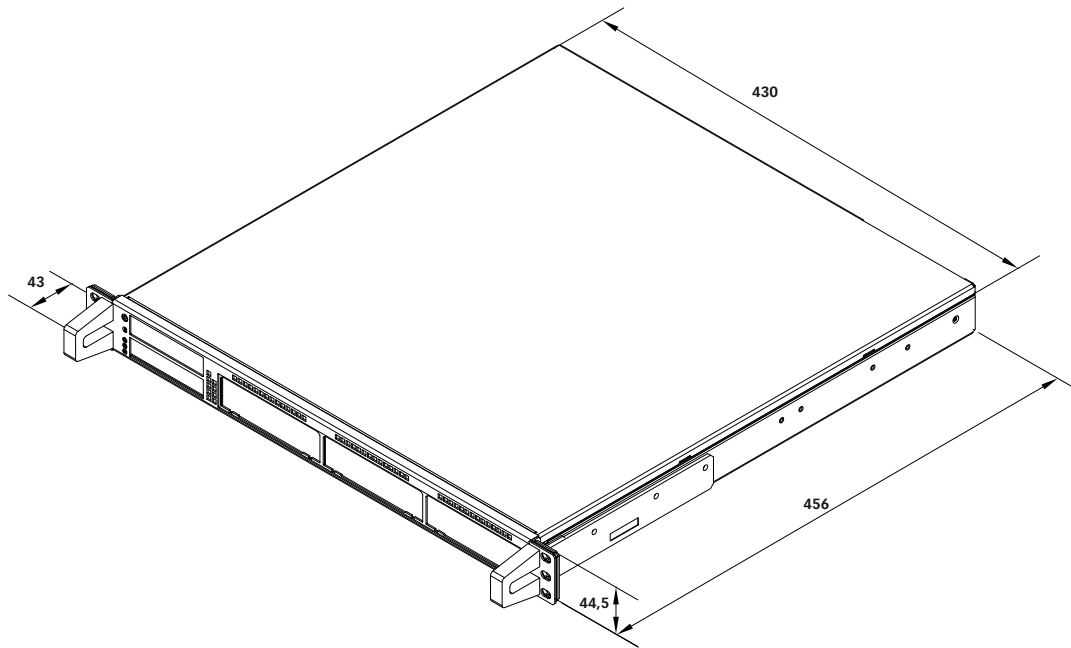


Figure shows configuration variant

ds_PyRa_1U_short_EN_rel_1.0 · specification is subject to change