

PyRa 2U advanced



HIGHLIGHTS

- Maximum footprint for highest performance - 640 mm depth
- Upgradable to dual socket CPUs and up to extended ATX
- Optional redundant AC and DC power supply

Figure shows configuration variant

OEM Platform Specifications

CHASSIS	Material	Steel, powder coated
	Mounting depth	633 mm
	Mounting	2U Rackmount, fully extendable telescopic rails
	Weight	From 15 kg
	Board	µATX, ATX, E-ATX
	Expansion slots	7x half height or 3x full height
	System cooling	Up to 3x 80 mm fans
POWER SUPPLY	Storage	Up to 16/8 x 2,5" / 3,5" HDD / SSD installed internally Optional hot-swappable 8/6 x 2,5" / 3,5" front and 2 x 2,5" rear
	Voltage	40-72 V DC, 100-240 V AC
CPU	Class	From Intel® Atom™ up to Intel® Core™ i7 / Xeon™
	TDP	Up to 2x 145W (active cooling)
OPTIONS	Front bezel	I/O, LCD, LED, hot-swappable trays, ODD, ELX Modules
	Accessories	Redundant power supply, telescopic rails
	Customizing	Color of choice and powder coating for chassis Front bezel printing Custom external packaging
	Product certification	CE, CB, UL, FCC, CCC, EAC
PACKING	Dimensions	782x598x277 mm
	Units per pallet	14

ds_PyRa_2U_advanced_EN_rel_1.0 - specification is subject to change

PyRa 2U advanced

Dimensions (in mm)

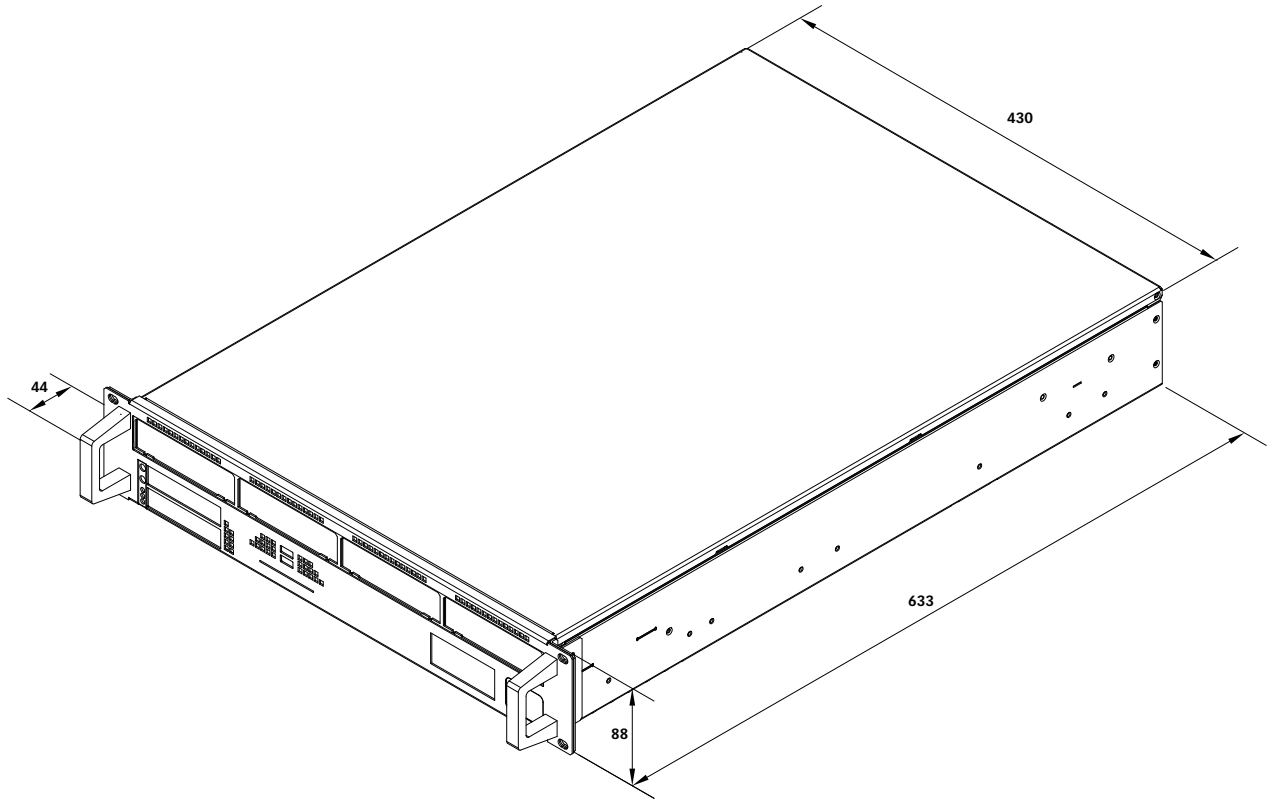


Figure shows configuration variant

ds_PyRa_2U_advanced_EN_rel_1.0 - specification is subject to change