

PyRa 2U flexi



Figure shows configuration variant

HIGHLIGHTS

- 19" capable PC system - 420 mm depth
- Upgradable to ATX
- Hot swap fans
- 3 x expansion slots full height or 7 x low profile

OEM Platform Specifications

CHASSIS	Material	Steel, powder coated
	Mounting depth	411 mm
	Mounting	2U Rackmount, fully extendable telescopic rails
	Weight	From 10 kg
	Board	µATX, ATX
	Expansion slots	7x half height or 3x full height
	System cooling	2x 80 mm hot swap fans
	Storage	Up to 4/2x 2,5" /3,5" HDD / SSD installed internally Optional hot-swappable 4x 2,5" front and 2x 2,5" rear
POWER SUPPLY	Voltage	40-72 V DC, 100-240 V AC
CPU	Class	From Intel® Atom™ up to Intel® Core™ i7 / Xeon™
	TDP	Up to 95W (active cooling)
OPTIONS	Front bezel	I/O, LCD, LED, hot-swappable trays, ODD
	Accessories	Redundant power supply, telescopic rails
	Customizing	Color of choice and powder coating for chassis Front bezel printing Custom external packaging
	Product certification	CE, CB, UL, FCC, CCC, EAC
PACKING	Dimensions	782x598x277 mm
	Units per pallet	14

ds_PyRa_2U_flexi_EN_rel_1.0 - specification is subject to change

PyRa 2U flexi

Dimensions (in mm)

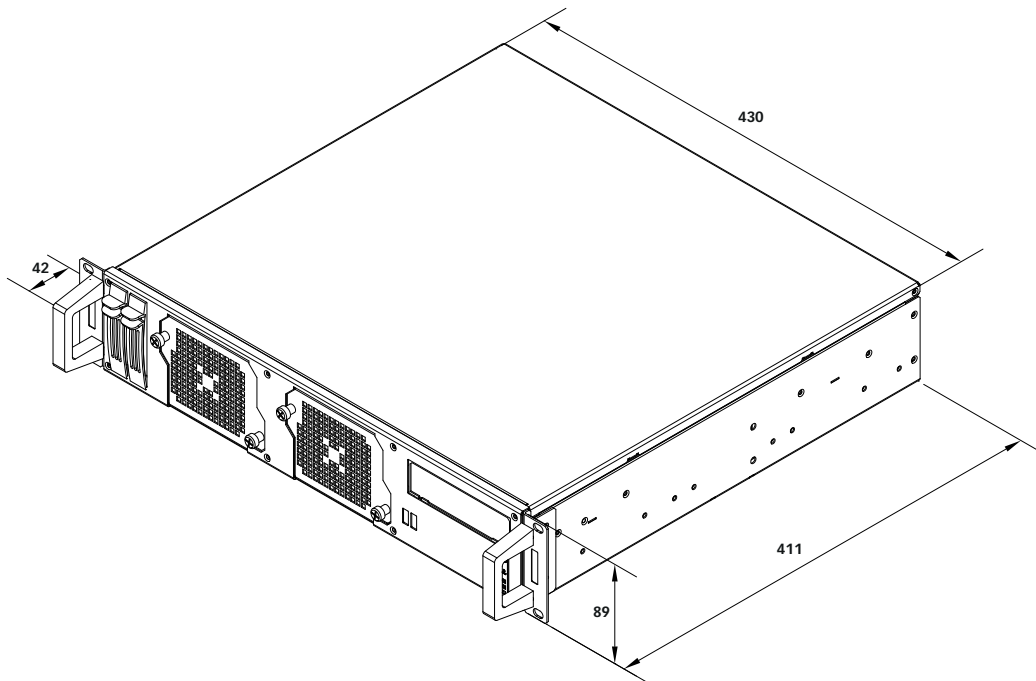


Figure shows configuration variant