

## PyRa 2U short



### HIGHLIGHTS

- Plenty of space for high performance – 460 mm depth
- Upgradable to Dual Socket CPU
- 7x slots for low-profile cards
- Optional redundant AC and DC power supply

Figure shows configuration variant

## OEM Platform Specifications

<b>CHASSIS</b>	Material	Steel, powder coated
	Mounting depth	458 mm
	Mounting	2U Rackmount, fully extendable telescopic rails
	Weight	From 12 kg
	Board	µATX, ATX
	Expansion slots	7x half height or 3x full height
	System cooling	Up to 3x 80 mm fans
	Storage	Up to 16 / 1 x 2,5" / 3,5" HDD / SSD installed internally Optional hot-swappable 8 x 2,5" front and 2 x 2,5" rear
<b>POWER SUPPLY</b>	Voltage	40-72 V DC, 100-240 V AC
<b>CPU</b>	Class	From Intel® Atom™ up to Intel® Core™ i7 / Xeon™
	TDP	30W (passive cooling) up to 130W (active cooling)
<b>OPTIONS</b>	Front bezel	I/O, LCD, LED, hot-swappable trays, ODD
	Accessories	Redundant power supply, telescopic rails
	Customizing	Color of choice and powder coating for chassis Front bezel printing Custom external packaging
	Product certification	CE, CB, UL, FCC, CCC, EAC
<b>PACKING</b>	Dimensions	782x598x277 mm
	Units per pallet	14

ds\_PyRa\_2U\_short\_EN\_rel\_1.0 · specification is subject to change

## PyRa 2U short

### Dimensions (in mm)

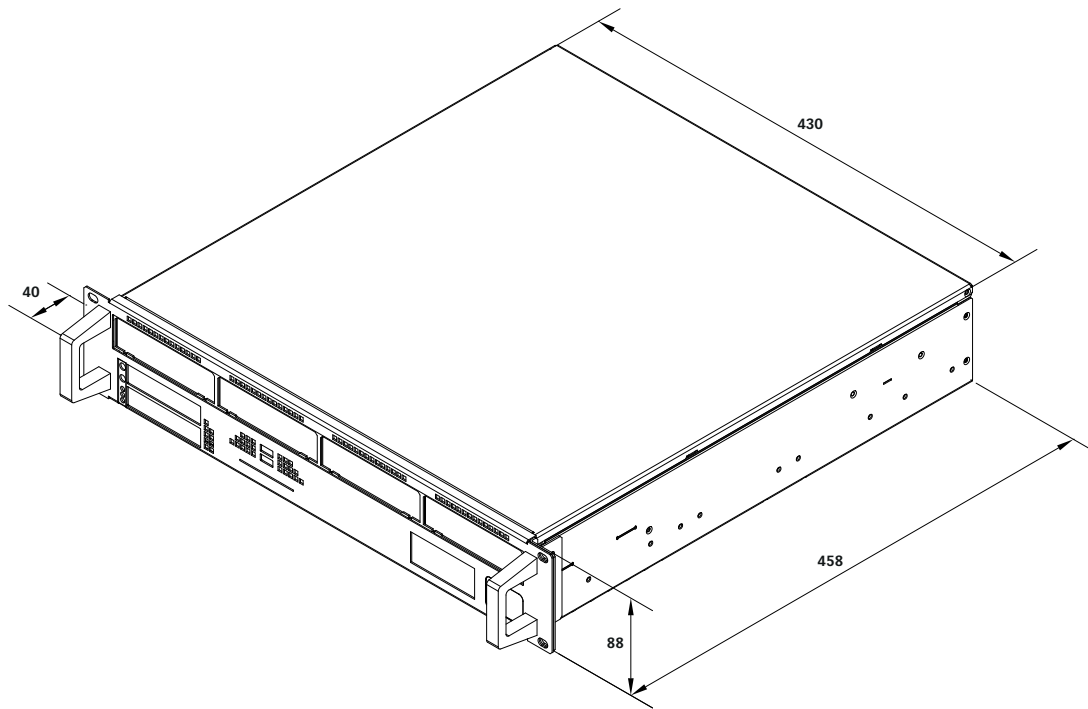


Figure shows configuration variant