

MaxiNet



Figure shows configuration variant

HIGHLIGHTS

- High performance and high density
- Front I/O, 4 x slots full height
- Dust filter option

OEM Platform Specifications

CHASSIS	Material	Stainless steel, powder coated
	Dimensions (WxDxH)	320x308x 134 mm
	Mounting	Desktop, optional wall mount
	Weight	From 5,5 kg
	Board	Mini-ITX, µATX
	Expansion slots	4x full height
	System cooling	1x 120 mm fan
	Storage	Up to 1x 2,5" / 3,5" HDD / SSD installed internally Optional hot-swappable 2x 2,5"
POWER SUPPLY	Voltage	9-24 V DC, 100-240 V AC
CPU	Class	From Intel® Atom™ up to Intel® Core™ i7
	TDP	10W (passive cooling) up to 65W (active cooling)
OPTIONS	Front bezel	LCD, LED, hot-swappable trays, ODD
	Accessories	Wall mount kit, dust filter
	Customizing	Color of choice and powder coating for chassis Front bezel printing Custom external packaging
	Product certification	CE, CB, UL, FCC, CCC, EAC
	PACKING	Dimensions
	Units per pallet	14

MaxiNet

Dimensions (in mm)

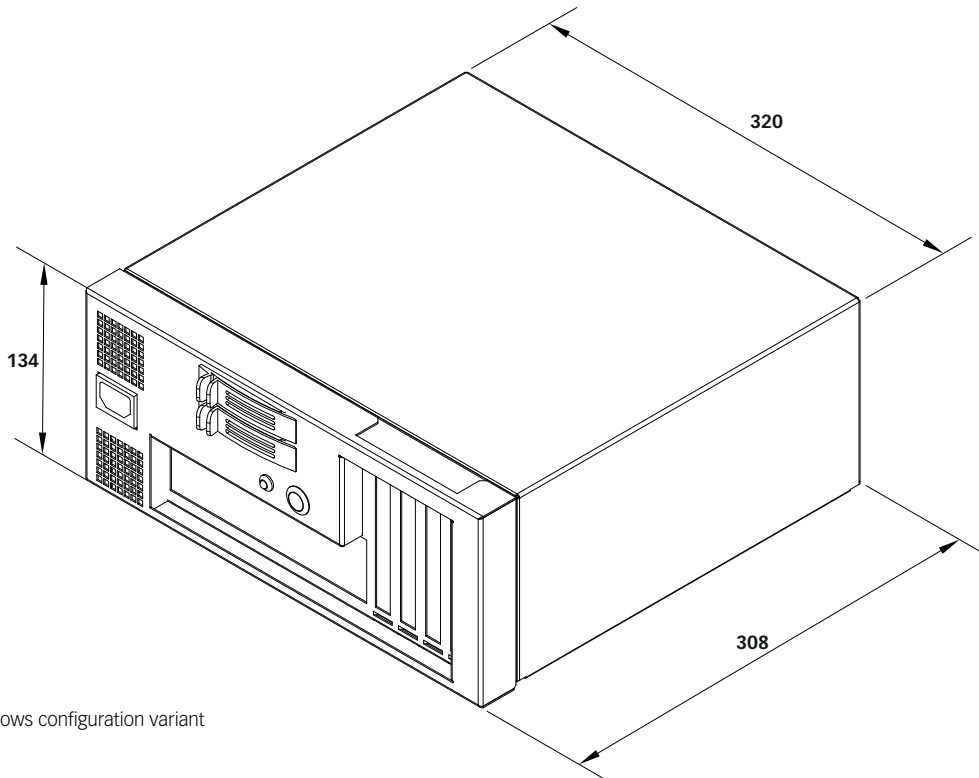


Figure shows configuration variant