

MiniNet



Figure shows configuration variant

HIGHLIGHTS

- Compact and quiet desktop system
- DIN Rail, wall mount or rack option
- Lockable front bezel optional

OEM Platform Specifications

CHASSIS	Material	Stainless steel, powder coated
	Dimensions (WxDxH)	328x201x89 mm
	Mounting	Desktop, optional 19" 2U rack, wall mount or DIN rail
	Weight	From 5 kg
	Board	Mini-ITX
	Expansion slots	1x half height or 1x full height
	System cooling	1x 80 mm fan
	Storage	Up to 1x 2,5" HDD / SSD installed internally Optional hot-swappable 4x 2,5"
POWER SUPPLY	Voltage	9-24 V DC, 100-240 V AC
CPU	Class	From Intel® Atom™ up to Intel® Core™
	TDP	10W (passive cooling) up to 35W (active cooling)
OPTIONS	Front bezel	I/O, LCD, LED, hot-swappable trays, ODD, dust filter cartridge
	Accessories	Wall mount kit, 19" rack mount kit, DIN rail adapter
	Customizing	Color of choice and powder coating for chassis Front bezel printing Custom external packaging
	Product certification	CE, CB, UL, FCC, CCC, EAC
PACKING	Dimensions	415x305x255 mm
	Units per pallet	42

ds_MiniNet_EN_rel_1.0 - specification is subject to change

MiniNet

Dimensions (in mm)

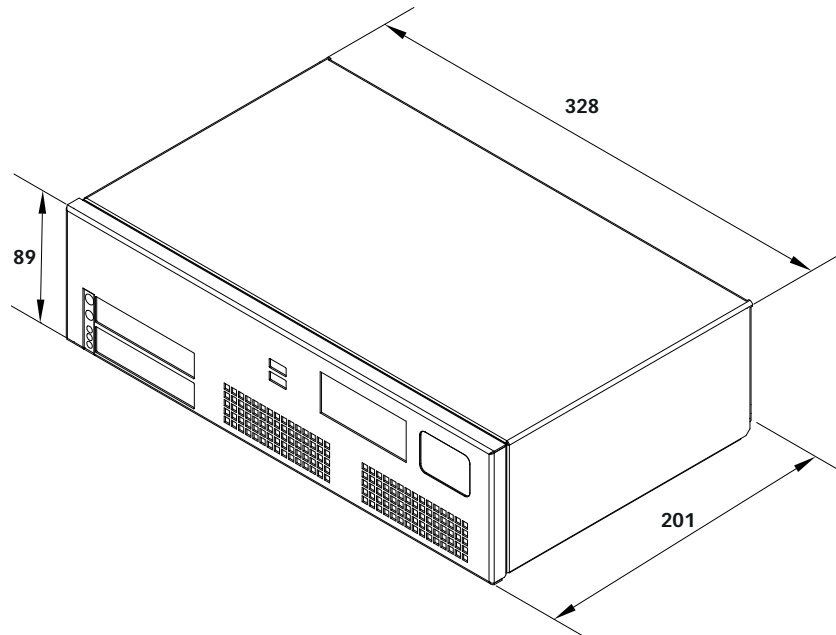


Figure shows configuration variant

ds_MiniNet_EN_rel_1.0 - specification is subject to change