

NetFlex 1U advanced



Figure shows configuration variant

HIGHLIGHTS

- 19" server for maximum flexibility
- Numerous options
- Cost-effective and easily adjustable
- Powerful, expandable with up to 2 CPUs

OEM Platform Specifications

CHASSIS	Material	Steel, powder coated
	Mounting depth	633 mm
	Mounting	1U Rackmount, fully extendable telescopic rails
	Weight	From 13 kg
	Board	µATX, ATX, E-ATX
	Expansion slots	1x full height or 4x ELX-Modules
	System cooling	Up to 5x 40 mm fans
	Storage	Up to 8/4x 2,5" /3,5" HDD / SSD installed internally Optional hot-swappable 4/3x 2,5" /3,5"
POWER SUPPLY	Voltage	40-72 V DC, 100-240 V AC
CPU	Class	Intel® Xeon™
	TDP	Up to 2x 130W (active cooling)
OPTIONS	Front bezel	I/O, LCD, LED, hot-swappable trays, ODD, ELX-Modules
	Accessories	Redundant power supply, server rails
	Customizing	Color of choice and powder coating for chassis Front bezel printing Custom external packaging
	Product certification	CE, CB, UL, FCC, CCC, EAC
	PACKING	Dimensions
	Units per pallet	14

ds_NetFlex_1U_advanced_EN_re_1.0 - specification is subject to change

NetFlex 1U advanced

Dimensions (in mm)

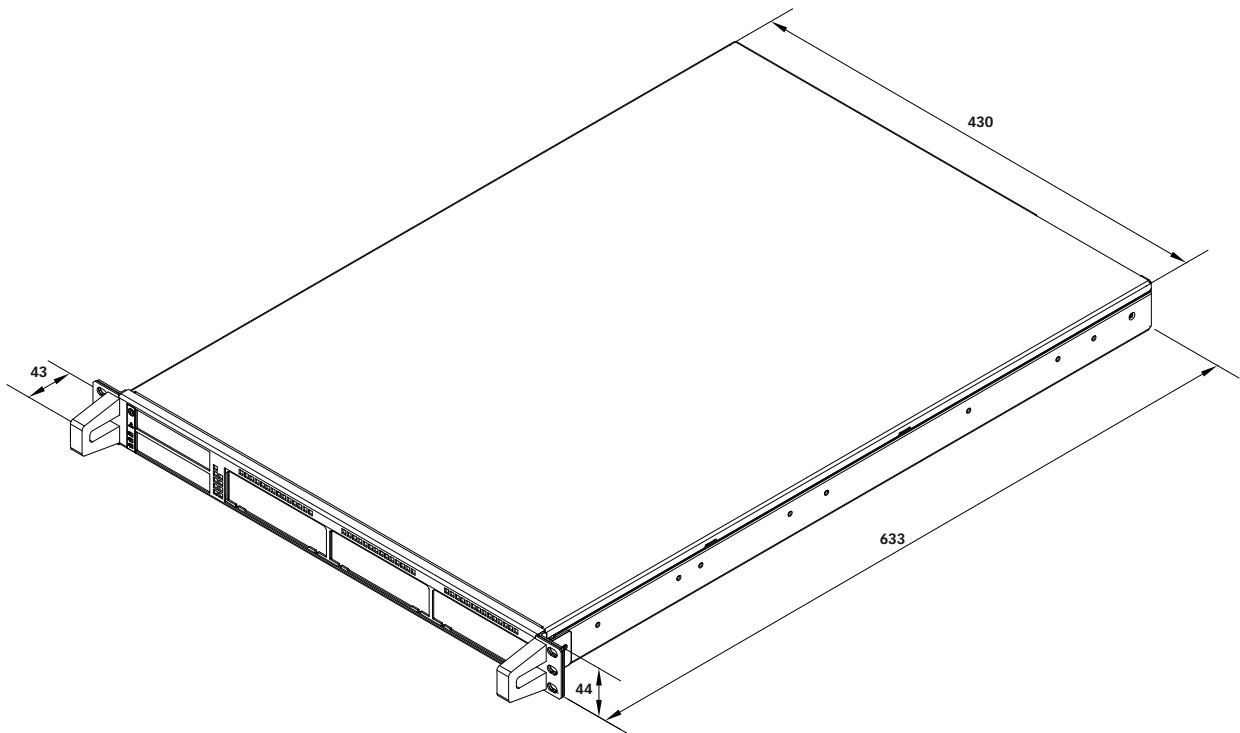


Figure shows configuration variant

ds_NetFlex_1U_advanced_EN_re_1.0 - specification is subject to change