

NetFlex 2U advanced



Figure shows configuration variant

HIGHLIGHTS

- 19" Server for maximum flexibility
- Extensive options
- Cost-effective and quickly adaptable
- Powerful, expandable with up to 2 processors

OEM Platform Specifications

CHASSIS	Material	Steel, powder coated
	Mounting depth	633 mm
	Mounting	2U Rackmount, fully extendable telescopic rails
	Weight	From 15 kg
	Board	µATX, ATX, E-ATX
	Expansion slots	7x half height or 3x full height or 7x ELX modules
	System cooling	Up to 3x 80 mm fans
	Storage	Up to 16/8x 2,5" / 3,5" HDD / SSD installed internally Optional hot-swappable 8/6x 2,5" / 3,5" front and 2x 2,5" rear
POWER SUPPLY	Voltage	40-72 V DC, 100-240 V AC
CPU	Class	From Intel® Atom™ up to Intel® Core™ i7 / Xeon™
	TDP	2x 30W (passive cooling) up to 2x 145W (active cooling)
OPTIONS	Front bezel	I/O, LCD, LED, hot-swappable trays, ODD, ELX modules
	Accessories	Redundant power supply, telescopic rails
	Customizing	Color of choice and powder coating for chassis Front bezel printing Custom external packaging
	Product certification	CE, CB, UL, FCC, CCC, EAC
PACKING	Dimensions	782x598x277 mm
	Units per pallet	14

ds_NetFlex_2U_advanced_EN_re_1.0 - specification is subject to change

NetFlex 2U advanced

Dimensions (in mm)

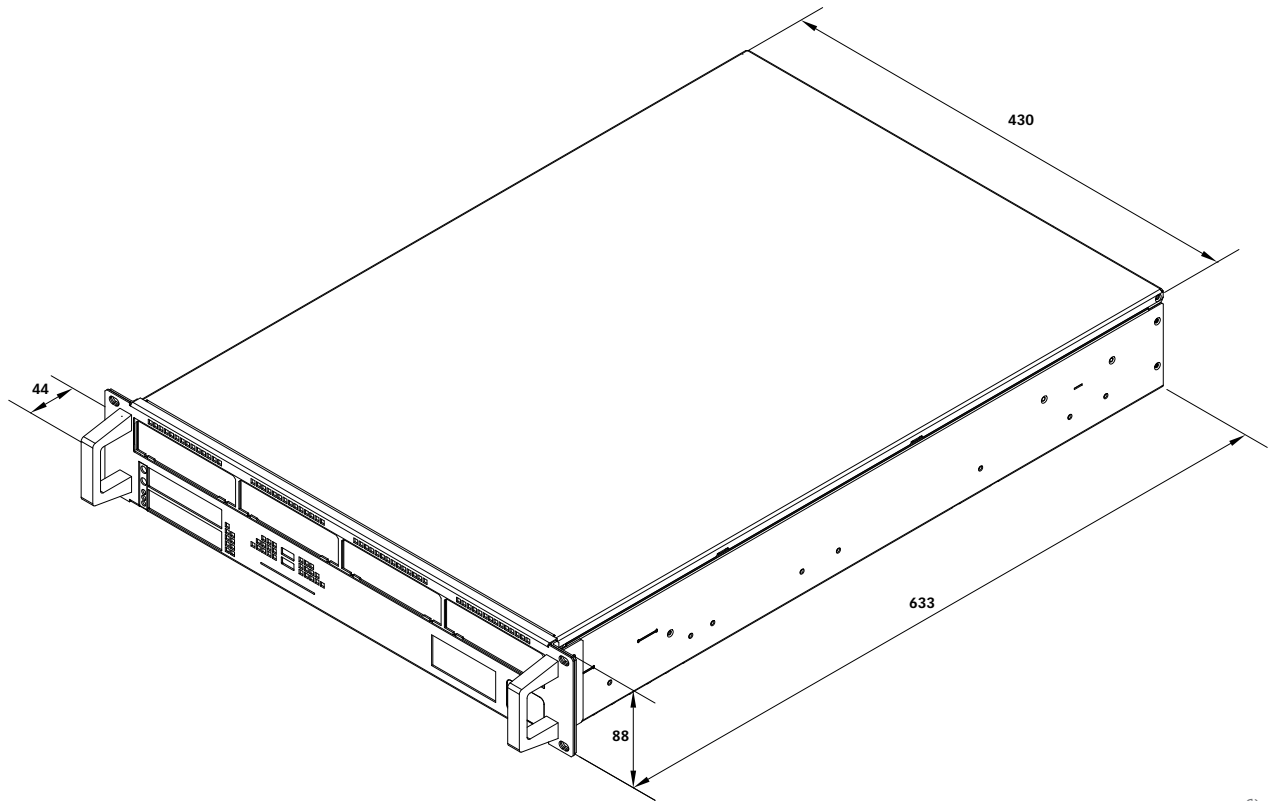


Figure shows configuration variant

ds_NetFlex_2U_advanced_EN_re_1.0 - specification is subject to change