

polytouch[®] pedestal "Elegance" 32"



picture with polytouch[®] 32000 POS

| | | |
|--|--------------------|--|
| PEDESTAL COMPLETE (INCL. BASE PLATE) | Dimensions (WxDxH) | 900x450x1005,25 mm / 35,43x17,72x39,85 inch |
| | Weight | 29,96 kg |
| | Material | Stainless steel / burnished steel |
| | | Total height incl. polytouch [®] 32": 1200 mm / 47,24 inch |
| COLUMN | Dimensions (WxDxH) | 130x998 mm / 5,12x39,3 inch |
| | Weight | 6,74 kg |
| | Material | Stainless steel |
| BASE PLATE | Dimensions (WxDxH) | 900x450x7,25 mm / 35,43x17,72x0,29 inch |
| | Weight | 23,22 kg |
| | Material | Burnished steel |
| ACCESSORIES | Content | <ul style="list-style-type: none"> · Screws + Allen key in sheet metal casket · CAT5 Ethernet cable · Power cord (extension) · Ratchet |
| PACKAGING | Dimensions (WxDxH) | 1100x580x200 mm / 43,31x22,83x7,87 inch |
| | Weight | Gross 35,48 kg / net 4,06 kg |

Rel. 1.1 - specification is subject to change

polytouch[®] pedestal "Elegance" 32"

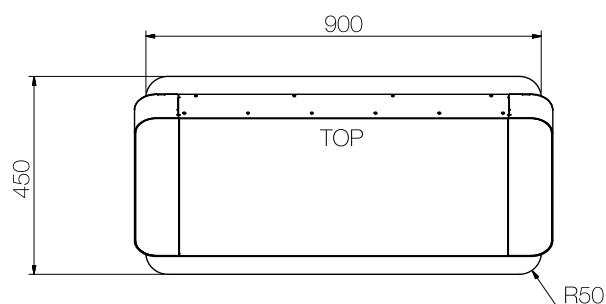
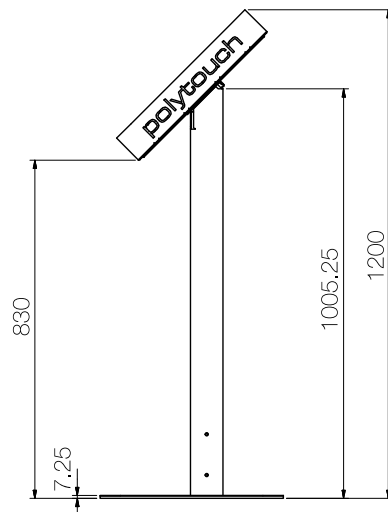
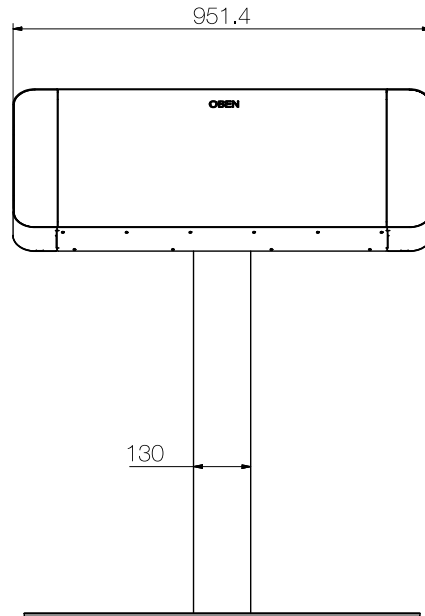
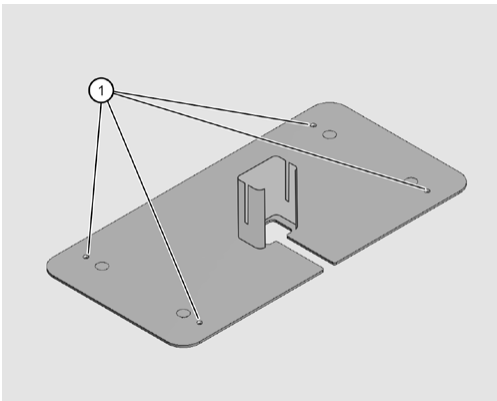
Dimensions (in mm)



CAUTION!

Risk of injury due to the polytouch[®] system toppling over.

- ▶ Ensure that the floor is level and that the polytouch[®] system stands securely.
- ▶ Use suitable countersunk screws and dowels to secure the base plate. Please use the holes (1) in the base plate.



Rel. 1.0 - specification is subject to change