

## polytouch<sup>®</sup> pedestal wave mini



polytouch<sup>®</sup> 24 portrait with pedestal wave mini

### HIGHLIGHTS

- **NEW!** Shelves optional
- Ergonomic design for comfortable operation
- Minimal footprint
- Different colours
- Compatible with polytouch<sup>®</sup> 24 portrait, polytouch<sup>®</sup> 24 landscape, polytouch<sup>®</sup> 32 landscape

## polytouch<sup>®</sup> pedestal wave mini

### PEDESTAL

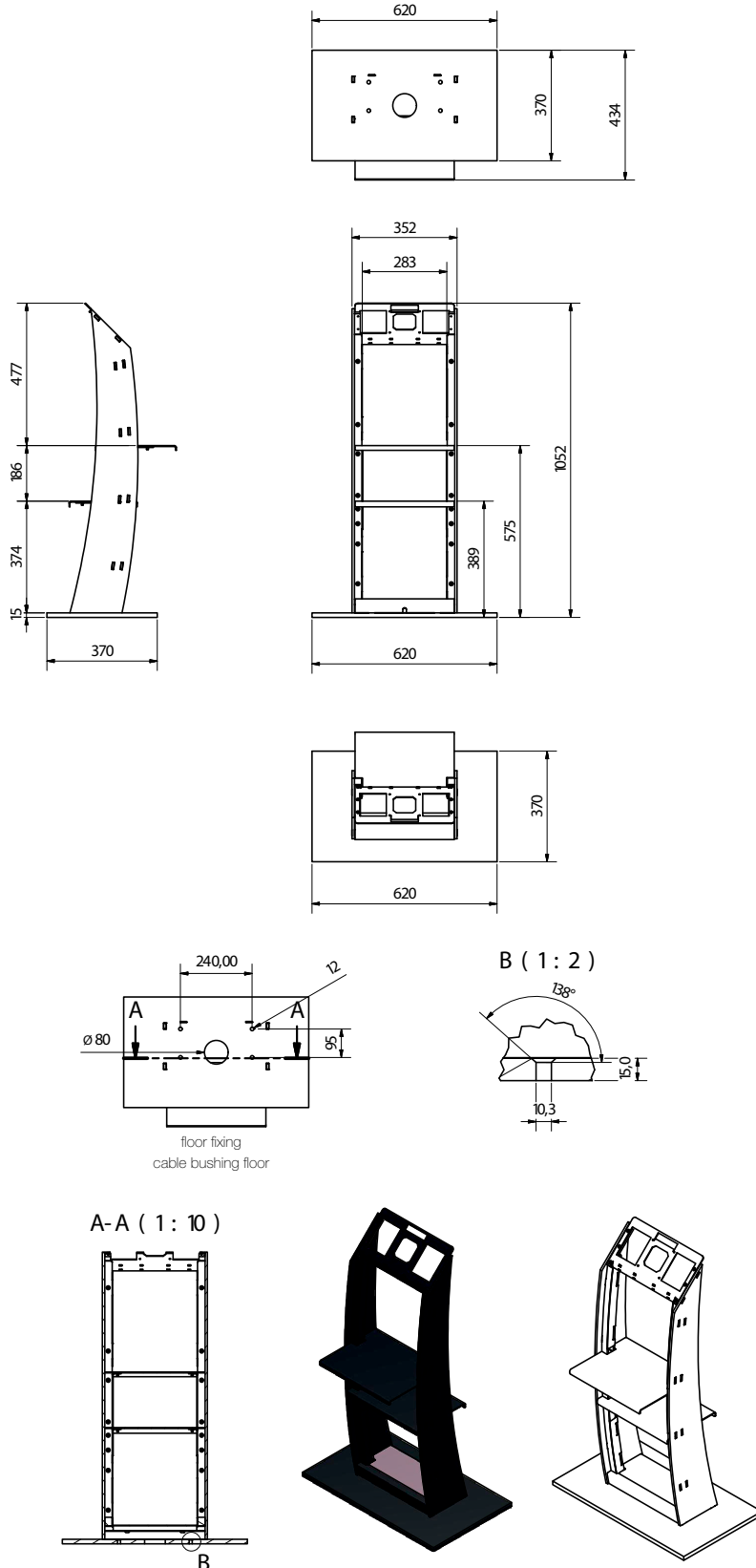
	Material	Steel, powder coated
	Dimension (WxDxH)	620x1052x434 mm
	System weight	Approx. 40 kg (without packaging)
	Mounting options	Standalone
<b>NEW!</b>	Optional	Shelves
	Colour options	RAL 9010 Pure white RAL 9011 Graphite black more
	Display angle	45°
	Compatible with	polytouch <sup>®</sup> 24 portrait polytouch <sup>®</sup> 24 landscape polytouch <sup>®</sup> 32 landscape



# polytouch<sup>®</sup> pedestal wave mini

## Dimensions (in mm)

Figure shows configuration variant



ds\_pt\_pedestal\_wave\_mini\_EN\_rel\_1.0 · specifications are subject to change